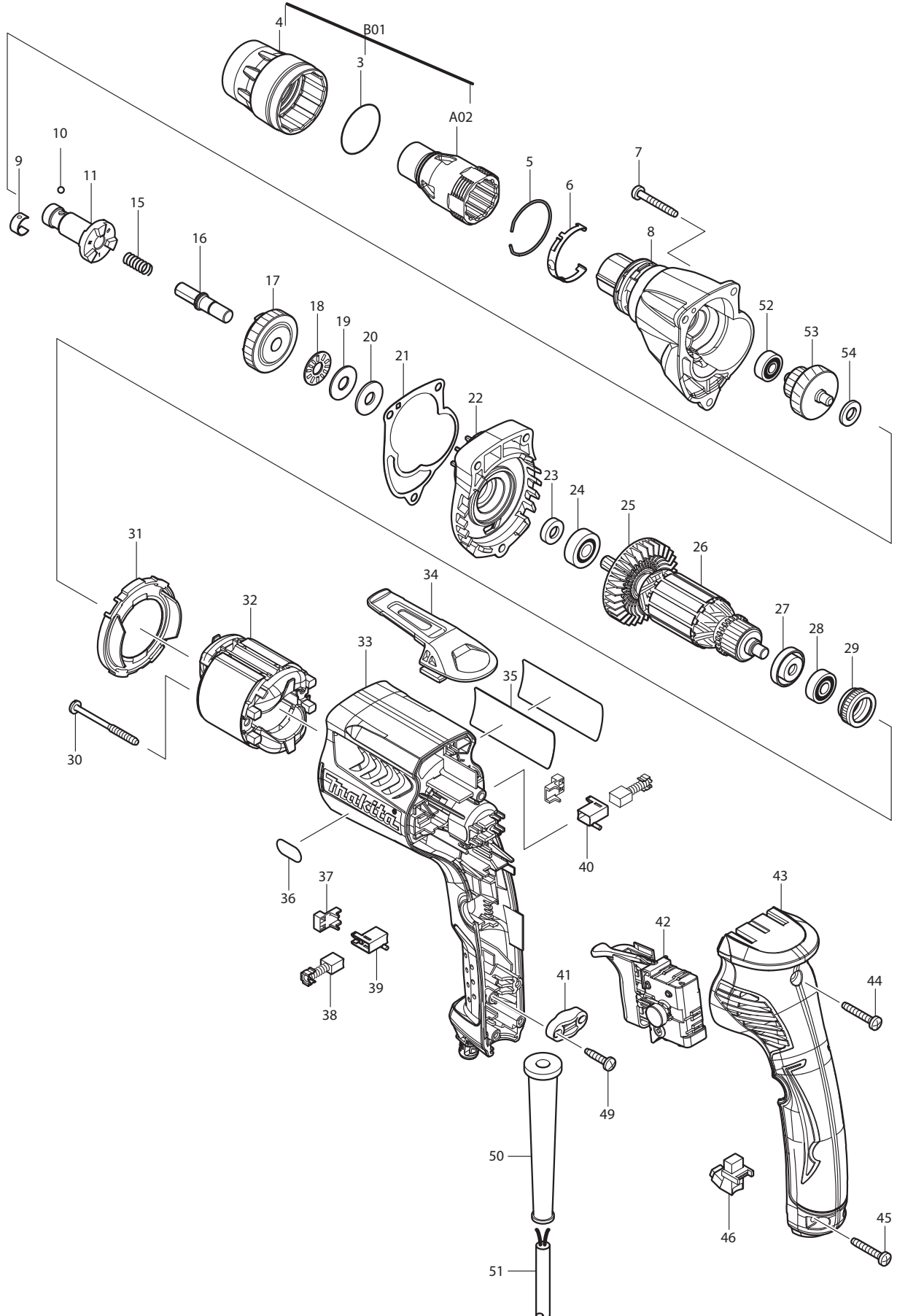




08 - 2010  
FS2500  
1/4" SCREWDRIVER



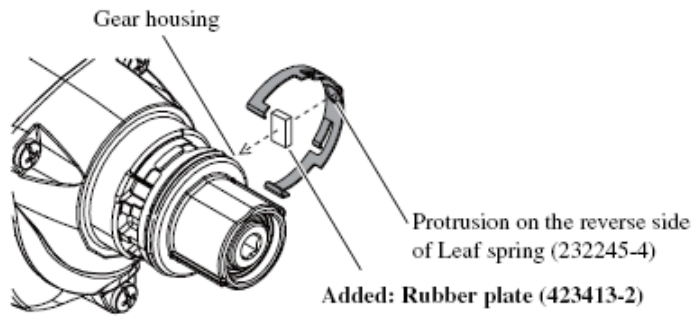
Item No	Type	Ref	Part No	Description	Qty	Unit
003			424235-3	SEAL RING 30	1	PC.
004	2		455591-0	LOCK RING	1	PC.
005			233974-2	RING SPRING 33	1	PC.
006			232245-4	LEAF SPRING	1	PC.
007			266361-0	TAPPING SCREW 4X30	3	PC.
008			158896-4	GEAR HOUSING LN COMPLETE	1	PC.
009			232050-9	LEAF SPRING	1	PC.
010			216001-0	STEEL BALL 3.5	1	PC.
011			325605-8	SPINDLE 180N	1	PC.
015			233126-5	COMPRESSION SPRING 6	1	PC.
016			268231-9	COLLARED PIN 8	1	PC.
017			227239-2	SPUR GEAR 35-180	1	PC.
018			216415-3	THRUST NEEDLE CAGE 821	1	PC.
019			216212-7	WASHER 821	1	PC.
020			261111-8	URETHANE WASHER 8	1	PC.
021			442149-4	GASKET	1	PC.
022			158982-1	GEAR HOUSING COVER COMPLETE	1	PC.
023			451099-2	RING 7	1	PC.
024			210007-0	BALL BEARING 608VV	1	PC.
025			240083-0	FAN 52	1	PC.
026			515761-4	ARMATURE ASSEMBLY 115V	1	PC.
		INC.		Item No. 23-25,27,28	1	PC.
027			681636-0	INSULATION WASHER	1	PC.
028			210062-2	BALL BEARING 607ZZ	1	PC.
029			421868-5	LABYRINTH RUBBER RING 19	1	PC.
030			266467-4	TAPPING SCREW 4X50	2	PC.
031			450880-8	BAFFLE PLATE	1	PC.
032			633691-8	FIELD 115V	1	PC.
033			450877-7	MOTOR HOUSING S	1	PC.
034			162272-6	HOOK	1	PC.
035			867035-2	FS2500 NAME PLATE	1	PC.
036			808574-3	INDICATION LABEL	1	PC.
037			689111-0	SPACER	2	PC.
038			195007-0	CARBON BRUSH CB-407 2PC/SET, W/O ORIGIN	1	PC.
039			643952-8	BRUSH HOLDER	1	PC.
040			643953-6	BRUSH HOLDER	1	PC.
041			687123-7	STRAIN RELIEF	1	PC.
042			650614-1	SWITCH	1	PC.
043			158877-8	HANDLE COVER S COMPLETE	1	PC.
		INC.	263002-9	RUBBER PIN 4	2	PC.
044			266374-1	TAPPING SCREW 4X25	1	PC.
045			266374-1	TAPPING SCREW 4X25	2	PC.
046	2		631938-4	LIGHT CIRCUIT	1	PC.
049			265995-6	TAPPING SCREW 4X18	2	PC.
050			682559-5	CORD GUARD 8	1	PC.
051			664891-9	CORD WITH PLUG 2P-18-2.5M SJ	1	PC.
052			211012-0	BALL BEARING 606ZZ	1	PC.
053			226157-1	GEAR COMPLETE 17-39	1	PC.
054			267017-8	FLAT WASHER 8	1	PC.
055			892811-5	CLEAR LABEL (Added)	1	PC.
056			423413-2	RUBBER PLATE (Added)	1	PC.
100			654121-6	TAB	4	PC.

Item No	Type	Ref	Part No	Description	Qty	Unit
101			654593-5	SPLICE	6	PC.
200			870232-1	CARTON	1	PC.
B01			197026-2	LOCATOR 5/16" SET	1	PC.
B01		INC.		Item No. A02, 003, 004		
<b>ACCESSORIES</b>						
- See catalogue or visit <a href="http://www.makita.ca">www.makita.ca</a> for more optional accessories -						
A01			784803-7	MAGNETIC SOCKET BIT 1/4-65	1	PC.
			B-45076	MAGNETIC NUTSETTER 1/4"	1	PC.
			A-97112	IMPACTX MAGNETIC NUTSETTER 1/4"	1	PC.
			A-97128	IMPACTX MAGNETIC NUTSETTER 1/4" 10/SE IN BAG	1	PC.
			784802-9	MAGNETIC SOCKET BIT 3/8-65	1	PC.
			B-45098	MAGNETIC NUTSETTER 3/8"	1	PC.
			A-97215	IMPACTX MAGNETIC NUTSETTER 3/8"	1	PC.
			A-97221	IMPACTX MAGNETIC NUTSETTER 3/8" 10/SE IN BAG	1	SET
			784804-5	MAGNETIC SOCKET BIT 5/16-65	1	PC.
			B-45082	MAGNETIC NUTSETTER 5/16"	1	PC.
			A-97162	IMPACTX MAGNETIC NUTSETTER 5/16"	1	PC.
			A-97178	IMPACTX MAGNETIC NUTSETTER 5/16" 10/SE IN BAG	1	SET
			784805-3	MAGNETIC SOCKET BIT 7/16-65	1	PC.
			B-45107	MAGNETIC NUTSETTER 7/16"	1	PC.
			A-97259	IMPACTX MAGNETIC NUTSETTER 7/16"	1	PC.
			A-99493	IMPACTX MAGNETIC NUTSETTER 7/16 10/SE IN BAG	1	SET
A02			450967-6	LOCATOR 5/16"	1	PC.
			450963-4	LOCATOR 1/4"	1	PC.
			450968-4	LOCATOR 3/8"	1	PC.
A03			784261-7	+ BIT 2-25	1	PC.
			B-24935	DRIVER BIT PH2 1" 100/SET IN JAR	1	SET
			B-25018	DRIVER BIT PH2 1" 100/SET IN BAG	1	SET
			A-96469	IMPACTX BIT PH2 1" 2/SET	1	SET
			A-96475	IMPACTX BIT PH2 1" 50/SET IN BAG	1	SET
			B-24125	DRIVER BIT PH2 1" 3/SET	1	SET
A04			784807-9	MAGNETIC BIT HOLDER 6.35-60	1	PC.
			B-52451	MAGNETIC BIT HOLDER 2-3/8"	1	PC.
			A-96920	IMPACTX MAGNETIC BIT HOLDER 2-3/8"	1	PC.
			A-96970	IMPACTX 1PC MAGNETIC BIT HOLDER 2-3/8"	1	PC.
			A-96936	IMPACTX MAGNETIC BIT HOLDER 2-3/8"	1	PC.
			A-96986	BAG	1	SET
			784801-1	MAGNETIC BIT HOLDER 6.35-76	1	PC.
			A-96942	IMPACTX MAGNETIC BIT HOLDER 3"	1	PC.
			A-96992	IMPACTX MAGNETIC BIT HOLDER 3"	1	PC.
			A-99281	IMPACTX MAGNETIC BIT HOLDER 3" 10/SET	1	SET
			A-99312	IMPACTX MAGNETIC BIT HOLDER 3" 10/SET	1	SET
A05			824890-5	PLASTIC CARRYING CASE	1	PC.
		INC.	163455-1	LATCH	2	PC.
		INC.	419360-3	HANDLE	1	PC.

**SERVICE CHANGES**

**1. Addition of Rubber Plate**

Item No.	Description	Type1	Type2
56	Rubber Plate	-----	423413-2



(T/I# 86789)